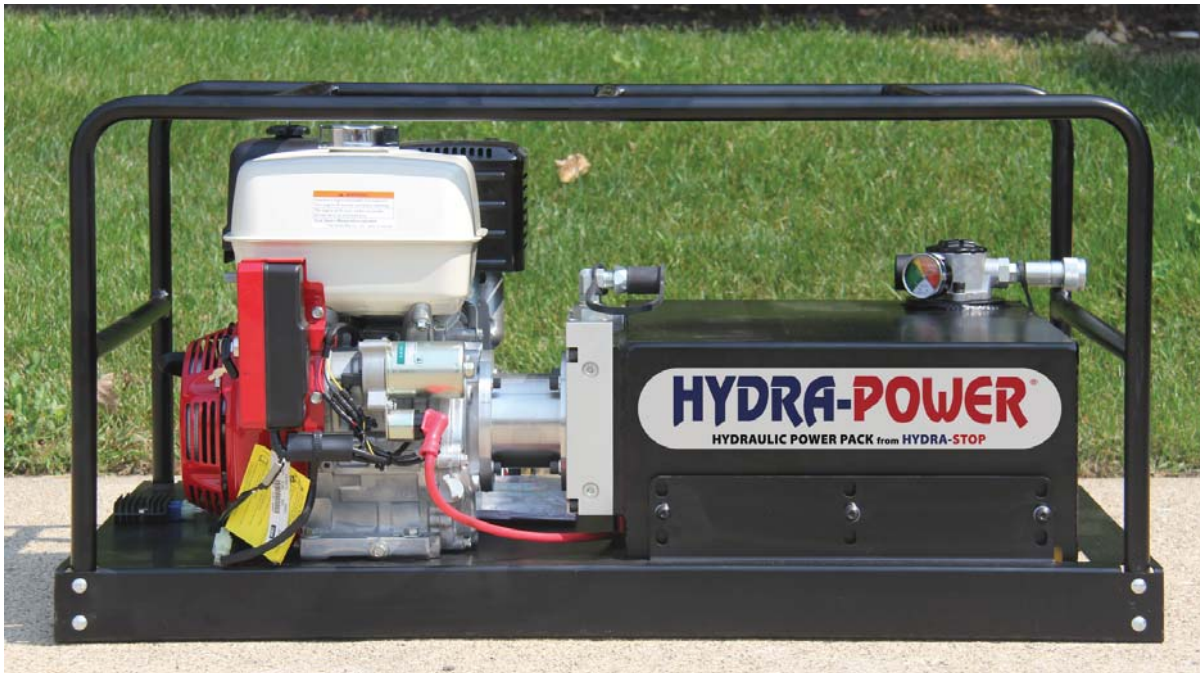


# Hydra-Power Hydraulic Power Pack

## Operation Instructions

HSPWRPK v1.11 Revised March 2016  
Specifications subject to change without notice.



# HYDRA-STOP<sup>®</sup>

Line Tapping Line Stopping Valve Insertion

144 Tower Drive Burr Ridge, IL 60527 (800) 538-7867  
[www.hydra-stop.com](http://www.hydra-stop.com)

## Table of Contents

Section	Title	Page
1.0	Hydra-Power Specifications	1
2.0	Features and Controls	1
3.0	Safety Warnings	2
4.0	Hydra-Power Setup Instructions	3
5.0	Hydra-Power Operation	4
6.0	Replacement Parts	7

Have questions or need assistance?

**WE ARE HERE TO HELP!**

Visit our website:

**[www.hydra-stop.com](http://www.hydra-stop.com)**

for more info:

- Product Info & Updates
- Tech Bulletins
- Frequently Asked Questions

– or –

**Call Hydra-Stop Inside Sales**

**1-800-538-7867**

# Hydra-Power PowerPack

## Operation Instructions



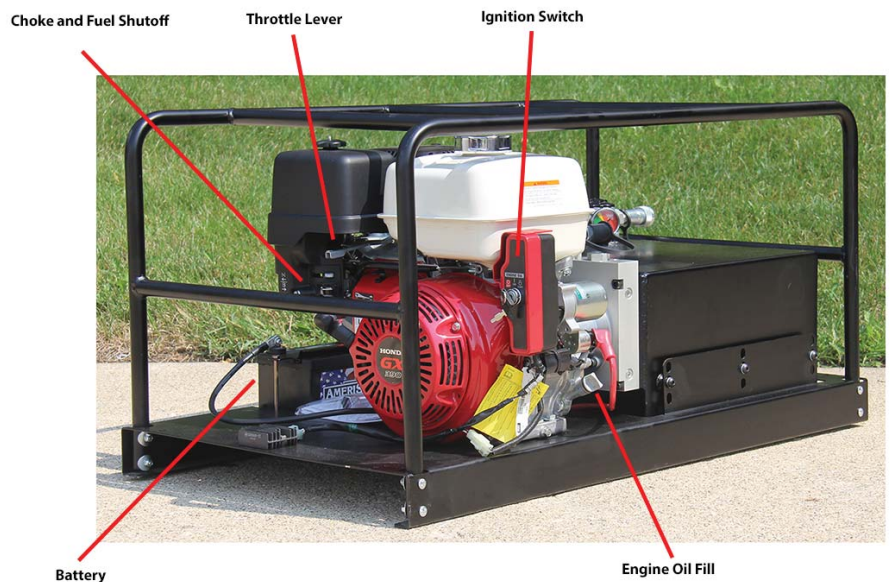
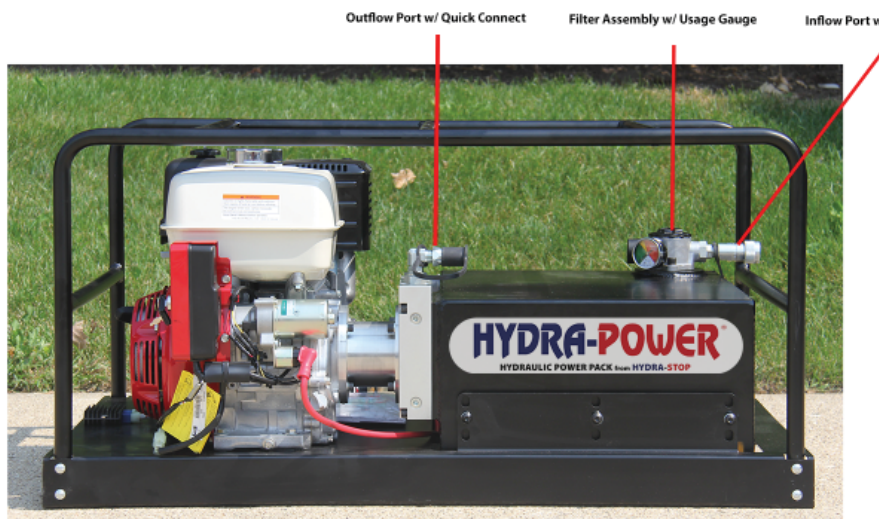
### SECTION 1 - Hydra-Power Specifications

13 HP electric start gas powered engine  
Dimensions: 44 1/2 L X 24 1/4 W X 22 1/4 H  
Weight: 304 pounds (with full hydraulic tank and fuel load)  
Output: 9 GPM @ 1700-1800 psi.  
15 gallon hydraulic oil reservoir with in-tank filter kit  
12v battery rated to 230cca at 0deg.  
Power Unit is skid mounted with protective cage.  
Power Unit can be lifted with a forklift with or without straps.

### What's included:

Gas powered, electric start power pack, with Quick Connects pre-installed  
2 - 50 foot hydraulic hose, 1/2" SAE 100R16 rated hose with Quick Connects pre-installed  
1 set Quick Connect hose couplings customer drive motor (nipples not included)  
Gauges and filters necessary for Hydra-Power Power-Pack operation

### SECTION 2 - Controls and Features




# Hydra-Power PowerPack

**HYDRA-STOP®**

## Operation Instructions

### SECTION 3 - SAFETY WARNINGS

Conventions used in this manual include:

 **WARNING** WARNING indicates a potentially hazardous situation which, if not avoided, could result in serious injury or death.

 **NOTE** NOTE signifies an important point of information.

Read this manual thoroughly before operating your Hydra-Power PowerPack. Failure to follow instructions could result in serious injury or death.

Engine exhaust contains carbon monoxide, a colorless, odorless, poison gas. Breathing carbon monoxide will cause nausea, dizziness, fainting or death. If you start to feel dizzy or weak, get to fresh air immediately.

Operate Hydra-Power PowerPack outdoors only in a well ventilated area.

DO NOT operate the Hydra-Power PowerPack inside any building, including garages, basements, crawlspaces and sheds, enclosure or compartment.

#### **WARNING**

DO NOT allow exhaust fumes to enter a confined area through windows, doors, vents or other openings.

Rotating parts can entangle hands, feet, hair, clothing and/or accessories.

Traumatic amputation or severe laceration can result.

Keep hands and feet away from rotating parts.

Tie up long hair and remove jewelry.

Operate equipment with guards in place.

DO NOT wear loose-fitting clothing, dangling drawstrings or items that could become caught.

#### **WARNING**

Sparks can result in fire or electrical shock. When servicing the Hydra-Power PowerPack:

Disconnect the spark plug wire and place it where it cannot contact the plug. DO NOT check for spark with the plug removed. Use only approved spark plug testers.

#### **WARNING**

Running engines produce heat. Severe burns can occur on contact. Combustible material can catch fire on contact.

DO NOT touch hot surfaces. Avoid contact with hot exhaust gases. Allow equipment to cool before touching. Maintain at least three feet of clearance on all sides to ensure adequate cooling. Maintain at least five feet of clearance from combustible materials.

#### **WARNING**

Fuel and fuel vapors are highly flammable and extremely explosive. Fire or explosion can cause severe burns or death. Unintentional startup can result in entanglement, traumatic amputation or laceration.

When adding or removing fuel: Turn the Hydra-Power PowerPack off and let it cool for at least two minutes before removing the fuel cap. Loosen the cap slowly to relieve pressure in the tank. Only fill or drain fuel outdoors in a well-ventilated area. DO NOT pump gas directly into the Hydra-Power PowerPack at the gas station. Use an approved container to transfer the fuel to the Hydra-Power PowerPack. DO NOT overfill the fuel tank. Always keep fuel away from sparks, open flames, pilot lights, heat and other sources of ignition.

DO NOT light or smoke cigarettes while fueling the Hydra-Power PowerPack.

#### **WARNING**

**When starting the Hydra-Power PowerPack engine:**

DO NOT attempt to start a damaged engine.

Make certain that the gas cap, air filter, spark plug, fuel lines and exhaust system are properly in place.

Allow spilled fuel to evaporate fully before attempting to start the engine.

Make certain that the Hydra-Power PowerPack is resting firmly on level ground.

**When operating the Hydra-Power PowerPack:**

DO NOT move or tip the Hydra-Power PowerPack or allow fuel or oil to spill.

**When transporting or servicing the Hydra-Power PowerPack:**

Make certain that the fuel shutoff valve is in the off position and the fuel tank is empty.

Disconnect the spark plug wire.

**When storing the Hydra-Power PowerPack:**

Store away from sparks, open flames, pilot lights, heat and other sources of ignition.

# Hydra-Power PowerPack

## Operation Instructions

**HYDRA-STOP®**

### SECTION 4 - Hydra-Power Setup Instructions

#### Quick Connectors

Quick connectors come attached to both hoses and also to the outflow and inflow ports of the Hydra-Power PowerPack unit.

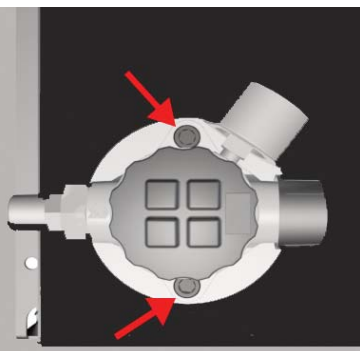
Quick connectors are provided for the drive motor connection, however, the fittings, nipples, bushings, etc. required to attach quick connects to drive motor **ARE NOT INCLUDED.**

Due to the large number of drive motor connection combinations which exist (size, thread type, etc.) it is the customer's responsibility to purchase these drive motor to quick connect pipe fittings separately. Quick connectors are female, 1/2 inch, NPT threaded.

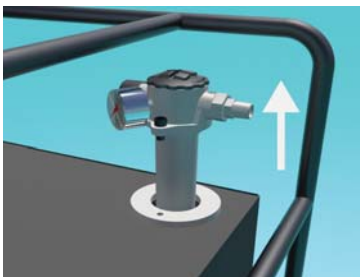
#### FILL HYDRAULIC OIL RESERVOIR

**Hydraulic oil recommendation:** all purpose, petroleum based hydraulic oil, ISO Grade 32. Normal operating oil conditions: 37-54C/100-130F. Do not operate at oil temperatures above 85C/185F

**NOTE: It is recommended to check Hydraulic Fluid Levels after every 15 hours of operation.**



1) Remove filter assembly by removing the two 3/8 cap screws as shown.



2) Lift and remove filter assembly. Set assembly aside.

3) Fill oil reservoir. Approximately 15 gallons of fluid will be required.

3) Replace filter assembly.

4) Replace cap screws. Be careful to not over tighten cap screws.

#### CHECK ENGINE OIL

The Hydra-Power PowerPack is shipped with full crankcase oil level. Before starting engine, it is a good practice to check engine oil level.

**CAUTION:** Any attempt to crank or start the engine before it has been properly filled with the recommended oil will result in equipment failure. Refer to engine owner's manual and follow oil and fuel recommendations and instructions.

**NOTE:** Check oil often during engine break-in. Refer to engine owner's manual for recommendations.

Thoroughly read owner's manual for 13 HP electric start engine. Follow instructions for operation and maintenance of gas powered engine.

#### ADD FUEL

Regular unleaded gasoline with an octane rating of 87 and no more than 10% ethanol is preferred. Never use an E85 fuel or a mixture of oil and gasoline designated for two cycle engines. Utilizing a higher grade premium fuel will not yield any increase in power output or improved performance.

#### PRE-USE INSPECTION

Check Hydra-Power PowerPack for any engine oil or hydraulic oil leaks. Check all fluid levels. Add fluids if necessary.

**IMPORTANT:** TO AVOID DAMAGE TO ENGINE AND HYDRA-POWER POWERPACK PUMP DO NOT ATTEMPT TO START HYDRA-POWER POWERPACK ENGINE BEFORE HOSES ARE CONNECTED TO THE HYDRA-POWER POWERPACK UNIT AND THE HYDRAULIC DRIVE MOTOR.

# Hydra-Power PowerPack

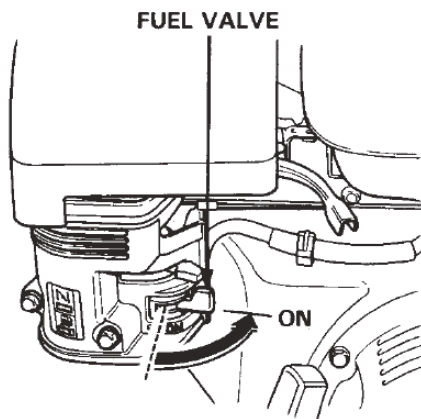
## Operation Instructions



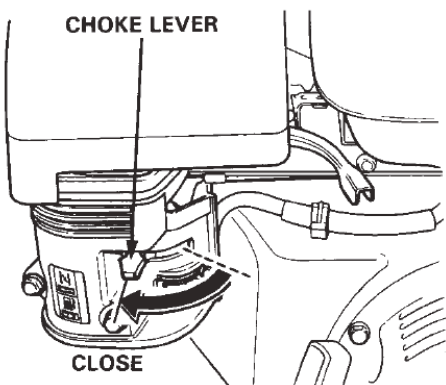
### SECTION 5 - Hydra-Power Operation

#### Starting the Engine

- 1) Make certain the Hydra-Power PowerPack is on a flat, level surface.
- 2) Connect all hoses to both the power pack and drive motor before starting engine.
- 3) Make sure drive motor is in the neutral position.
- 4) Move the black fuel valve to the "ON" position.

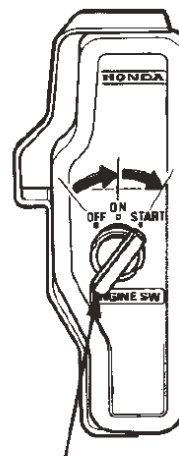
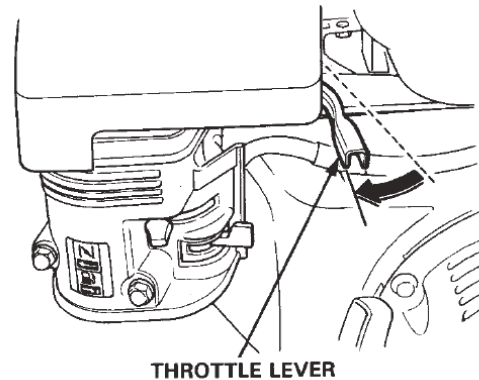


- 5) Move the gray choke lever left to the "CHOKE" position.



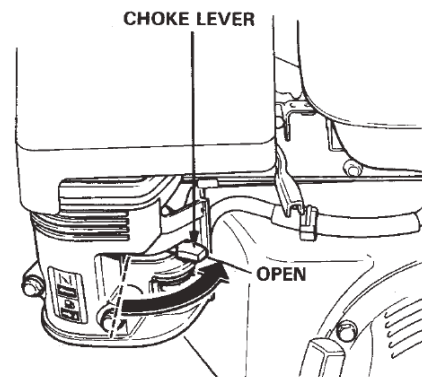
NOTE: The choke may not be needed if the engine is warm or the air temperature is high.

- 6) Move throttle lever slightly to the left.



- 7) Turn ignition key which activates electric start. (If battery is dead, pull the starter cord slowly until resistance is felt and then pull rapidly.)

- 8) Do not over-choke. As the engine warms, gradually move the choke lever to the open position (to the right).



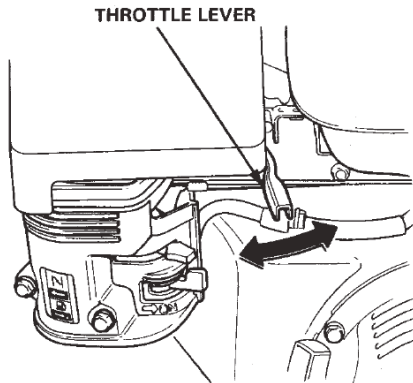
# Hydra-Power PowerPack

## Operation Instructions

**HYDRA-STOP®**

### SECTION 5 - Hydra-Power Operation - continued

9) Position the throttle lever for the desired engine speed.



### NOTE

During operation check the oil operating temperature. Temperature gauge is located on side of oil reservoir tank. Normally operating oil conditions: 37-54C / 100-130F. **Do not operate at oil temperatures above 85C / 185F**

### Stopping the Engine

1. Return drive motor to neutral.
2. Allow the Hydra-Power PowerPack engine to run at no-load for several minutes to stabilize internal temperatures of the engine and pump.
3. Turn the Fuel Valve to the "OFF" position.
4. Let the engine run until fuel starvation has stopped the engine. This usually takes a few minutes.
5. Turn the ignition switch to the "OFF" position.

Important: Always ensure that the Fuel Valve and the Engine Switch are in the "OFF" position when the engine is not in use.

NOTE: If the engine will not be used for a period of two (2) weeks or longer, please see the Storage section below for proper engine and fuel storage.

### Hydra-Power PowerPack Maintenance and Storage

Refer to the engine owners manual for detailed engine maintenance specifications.

Contact our helpline at 1-800-538-7867 to assist in Hydra-Power PowerPack or engine maintenance needs.

NOTE: DO NOT use a garden hose to clean the Hydra-Power PowerPack.

### Long Term Hydra-Power PowerPack Storage

1. Add a properly formulated fuel stabilizer to the tank.
2. Be certain to connect a hydraulic device or use one hose as a by-pass device. NOTE: Engine will not start if hydraulic fluid is not able to cycle through the pump and return to the oil reservoir.
3. Run the Hydra-Power PowerPack for a few minutes so the treated fuel cycles through the fuel system and carburetor.
4. Turn the fuel valve to the "Off" position.
5. Let the Hydra-Power PowerPack run until fuel starvation has stopped the engine. This usually takes a few minutes.
6. The Hydra-Power PowerPack needs to cool completely before cleaning and storage.
7. Clean the Hydra-Power PowerPack according to the maintenance section.
8. Change the oil.
9. Remove the spark plug and pour about 1/2 ounce of oil into the cylinder. Crank the engine slowly to distribute the oil and lubricate the cylinder.
10. Reattach the spark plug.
11. Store the unit in a clean, dry place out of direct sunlight.

# Hydra-Power PowerPack

## Operation Instructions



### SECTION 6 - Replacement Parts

Replacement parts for your hydra-Power are available from Hydra-Stop. Please contact your inside sales representative to order or for additional information.

Part number	Quantity per machine	Part Description
SLF1-12S-0-ZSLE110 ASSY	1	Filter Assembly (tank top canister and filter, no gauge)
ZSLE-110	1	Filter Element
CI-20	1	Filter Gauge
SG-05M-T-G	1	Sight Gauge (Oil Level/Temp)