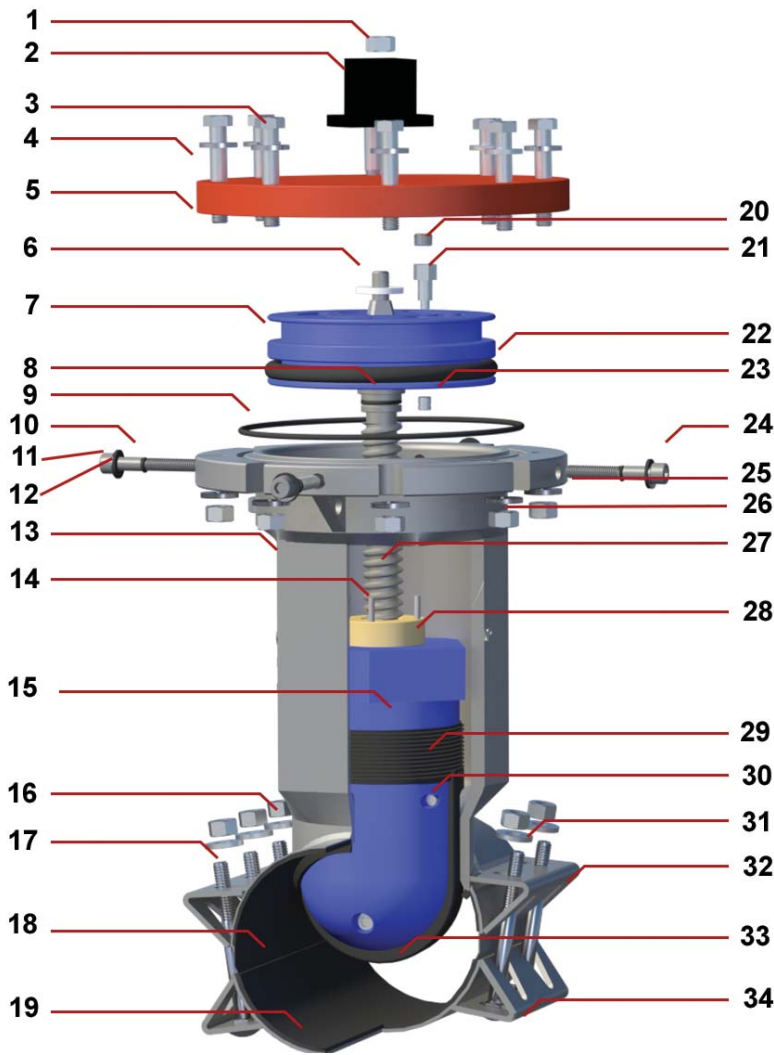


Insta-Valve 250 Patriot™

Valve Insertion System - 4, 6, 8, 10, 12 inch Nominal Sizes

Product Cut Sheet - Insta-Valve 250 Patriot



INSTA-VALVE 250 ASSEMBLY			
ITEM	DESCRIPTION	MATERIAL	QTY
1	OPERATING NUT ATTACHING NUT	304 STAINLESS STEEL - COATED TO PREVENT GALLING	1
2	OPERATING NUT	STEEL, CAST	1
3	BONNET BOLTS 4" - 8"	304 STAINLESS STEEL*	8
	BONNET BOLTS 10" - 12"	304 STAINLESS STEEL*	12
4	BONNET WASHERS 4" - 8"	304 STAINLESS STEEL*	16
	BONNET WASHERS 10" - 12"	304 STAINLESS STEEL*	24
5	BONNET	EPOXY COATED CARBON STEEL**	1
6	THRUST WASHER	TEFLON	1
7	COMPLETION PLUG	REINFORCED COMPOSITE POLYMER	1
8	VALVE STEM O-RING	RUBBER, BUNA-N	1
9	FLANGE O-RING 4-12"	RUBBER, BUNA-N	1
10	COMPLETION PIN O-RING 4"-8"	RUBBER, BUNA-N	4
	COMPLETION PIN O-RING 10"-12"	RUBBER, BUNA-N	6
11	COMPLETION PIN WASHER 4"-8"	RUBBER, BUNA-N	4
	COMPLETION PIN WASHER 10"-12"	RUBBER, BUNA-N	6
12	COMPLETION PIN WASHER 4"-8"	304 STAINLESS STEEL	4
	COMPLETION PIN WASHER 10"-12"	304 STAINLESS STEEL	6
13	IV 250 PATRIOT SERIES BODY	304 STAINLESS STEEL	1
14	VALVE PIN 4" - 12"	STEEL, MILD	4
15	IV 250 CARTRIDGE	REINFORCED COMPOSITE POLYMER	1
16	BODY MOUNT NUTS 4" - 6"	304 STAINLESS STEEL - COATED TO PREVENT GALLING*	8
	BODY MOUNT NUTS 8"	304 STAINLESS STEEL - COATED TO PREVENT GALLING*	10
	BODY MOUNT NUTS 10" - 12"	304 STAINLESS STEEL - COATED TO PREVENT GALLING*	14
17	BODY MOUNT CARRIAGE BOLTS 4" - 6"	304 STAINLESS STEEL*	8
	BODY MOUNT CARRIAGE BOLTS 8"	304 STAINLESS STEEL*	10
	BODY MOUNT CARRIAGE BOLTS 10" - 12"	304 STAINLESS STEEL*	14
18	BODY SEALING GASKET	RUBBER, BUNA-N	1
19	BOTTOM BODY SEALING GASKET	8" - 12" ONLY, RUBBER, BUNA-N	1
20	CHECK VALVE NPT PLUG	304 STAINLESS STEEL	1
21	CHECK VALVE 4-12"	304 STAINLESS STEEL	1
22	COMPLETION PLUG O-RING	RUBBER, BUNA-N	1
23	CHECK VALVE NUT 4-12"	304 STAINLESS STEEL	1
24	COMPLETION PIN 4" - 8"	304 STAINLESS STEEL - COATED TO PREVENT GALLING	4
	COMPLETION PIN 10" - 12"	304 STAINLESS STEEL - COATED TO PREVENT GALLING	6
25	BONNET WASHERS 4" - 8"	304 STAINLESS STEEL*	8
	BONNET WASHERS 10-12"	304 STAINLESS STEEL*	12
26	BONNET NUTS 4" - 8"	304 STAINLESS STEEL - COATED TO PREVENT GALLING*	8
	BONNET NUTS 10" - 12"	304 STAINLESS STEEL - COATED TO PREVENT GALLING*	12
27	VALVE STEM	304 STAINLESS STEEL	1
28	STEM COLLAR	NO LEAD BRASS	1
29	CARTRIDGE SEAL	EPDM	1
30	WEDGE BOLT	STAINLESS STEEL 18-8	1
31	BODY MOUNT WASHERS 4" - 6"	304 STAINLESS STEEL*	8
	BODY MOUNT WASHERS 8"	304 STAINLESS STEEL*	10
	BODY MOUNT WASHERS 10" - 12"	304 STAINLESS STEEL*	14
32	MOUNTING BODY - TOP	304 STAINLESS STEEL*	1
33	RESILIENT WEDGE	EPDM	1
34	MOUNTING BODY - BOTTOM	304 STAINLESS STEEL	1



Weights and Dims					
Size	A	B	C	D	Approx. Weight
4"	12"	18.6	8.4	13.5	138 lbs
6"	12"	21.5	8.4	13.5	173 lbs
8"	16"	24.6	8.4	13.5	229 lbs
10"	24	30	17	19	370 lbs
12"	24	33	17	19	425 lbs

C DIM=CASTING I.D.

Other Specifications	
Minimum Test Pressure:	1.5 times system working pressure
Maximum Test Pressure:	375 psi, Maximum Working Pressure: 250 psi
Meets "Buy American" and "American Iron and Steel Act" provisions. Meets "Made in USA" and "Buy America" with the additional purchase of stainless steel domestic hardware.	

Proprietary Information: This property of Hydra-Stop shall not be used, reproduced or distributed without written consent. All design and invention rights are reserved. Covered by United States Patent No. 9,829,141,B2 and United States Patent No. 9,644,779,B2. Additional Patents Pending.

* Domestic option available at additional cost.

** Domestic Stainless Steel Flange option available at additional cost.

